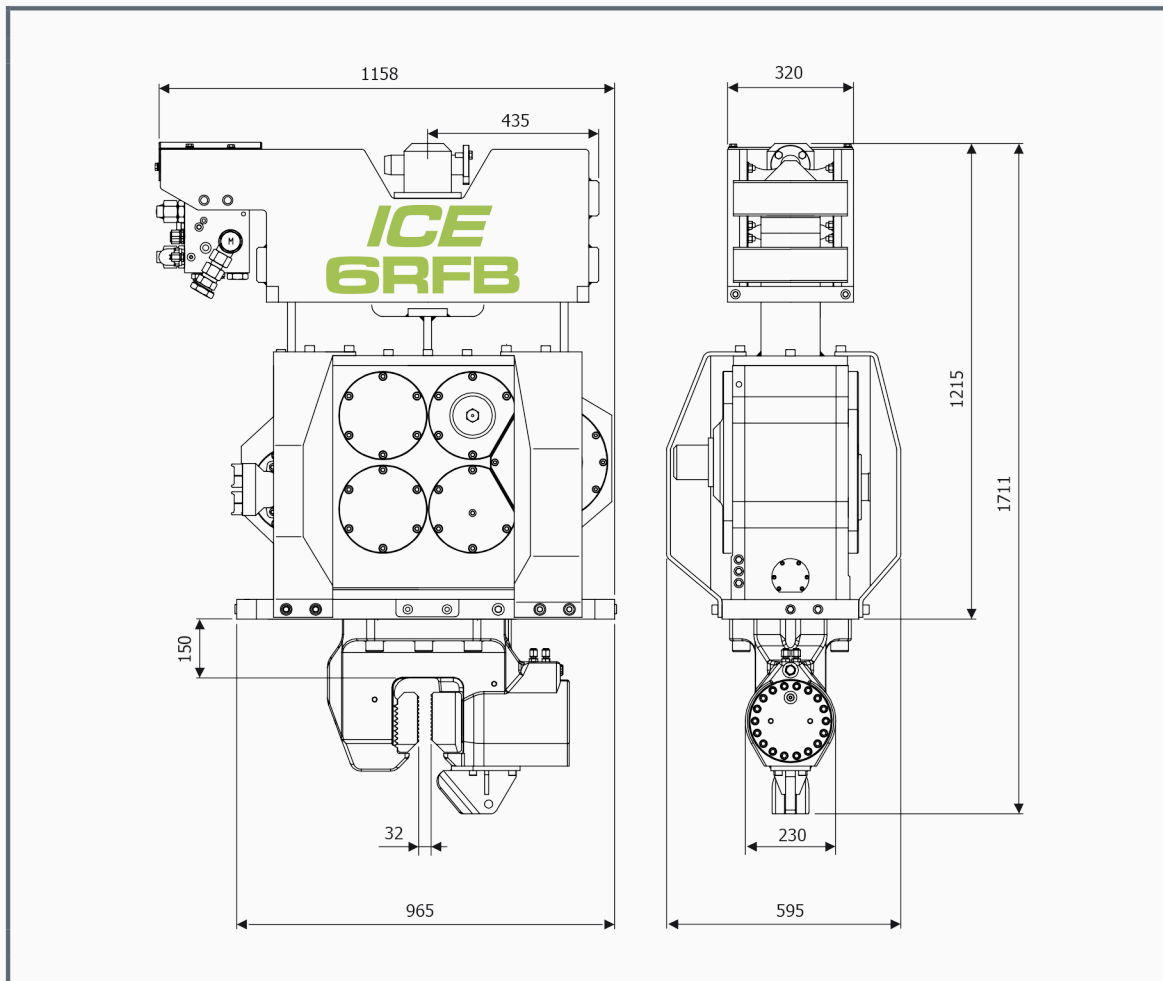


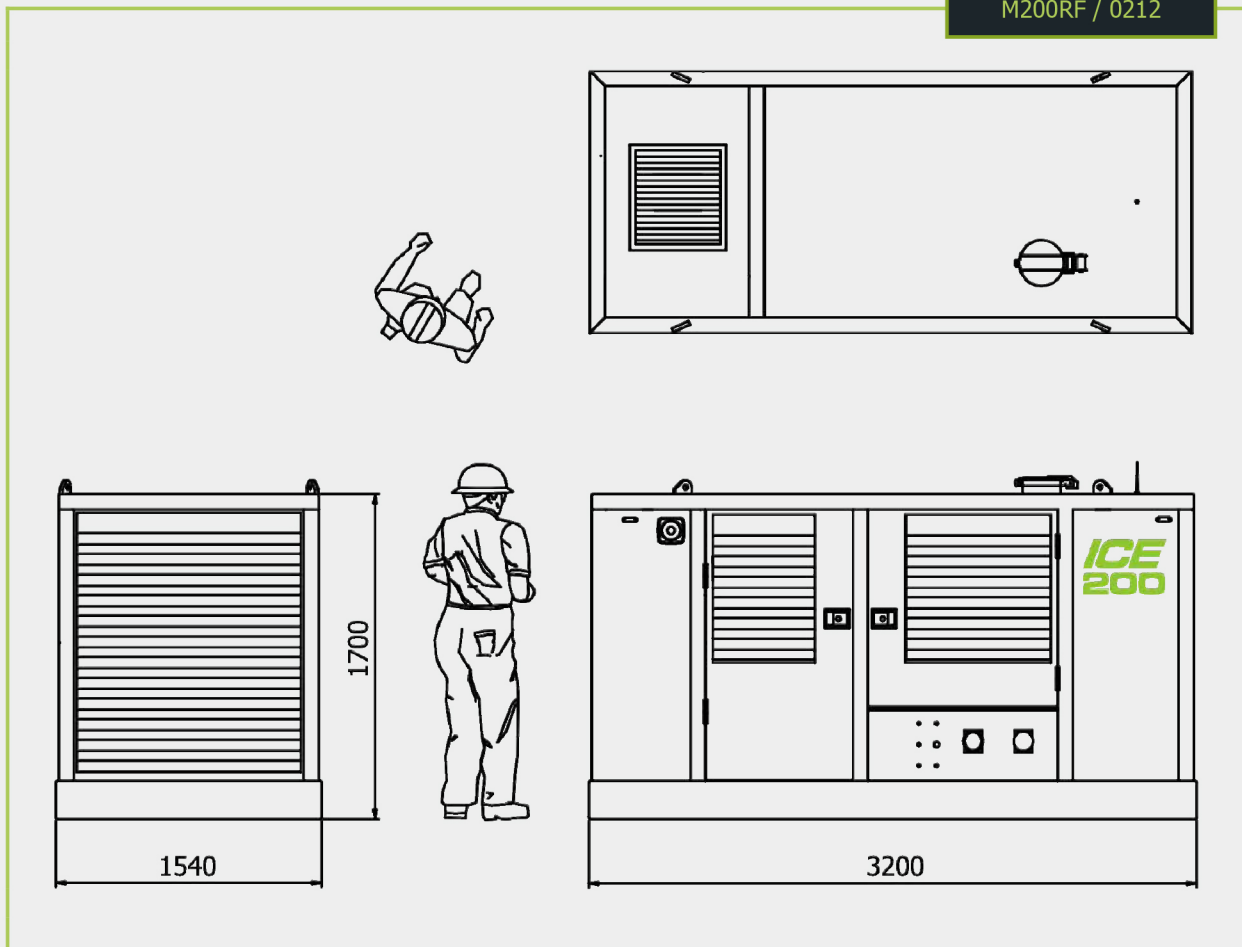
ICE 6RFB *Vibratory Hammer*



Specifications	6RFB		Clamps:
Eccentric moment	0 – 6.5	kgm	
Max. centrifugal force	0 – 377	kN	Sheet pile clamp 60TU
Max. frequency	2300	rpm	Transport weight per piece 250 kg
Max. amplitude excluding 60TU	13.5	mm	
Max. amplitude including 60TU	10.7	mm	
Max. static line-pull	120	kN	
Max. hydraulic power	81/110	kW/HP	
Max. operating pressure	350	bar	
Max. oil flow	138	l/min	
Forced lubrication	yes		
Dynamic weight excluding 60TU	960	kg	
Dynamic weight including 60TU	1210	kg	
Total weight including 60TU	1490	kg	

ICE 200 RF Hydraulic Power Pack

M200RF / 0212



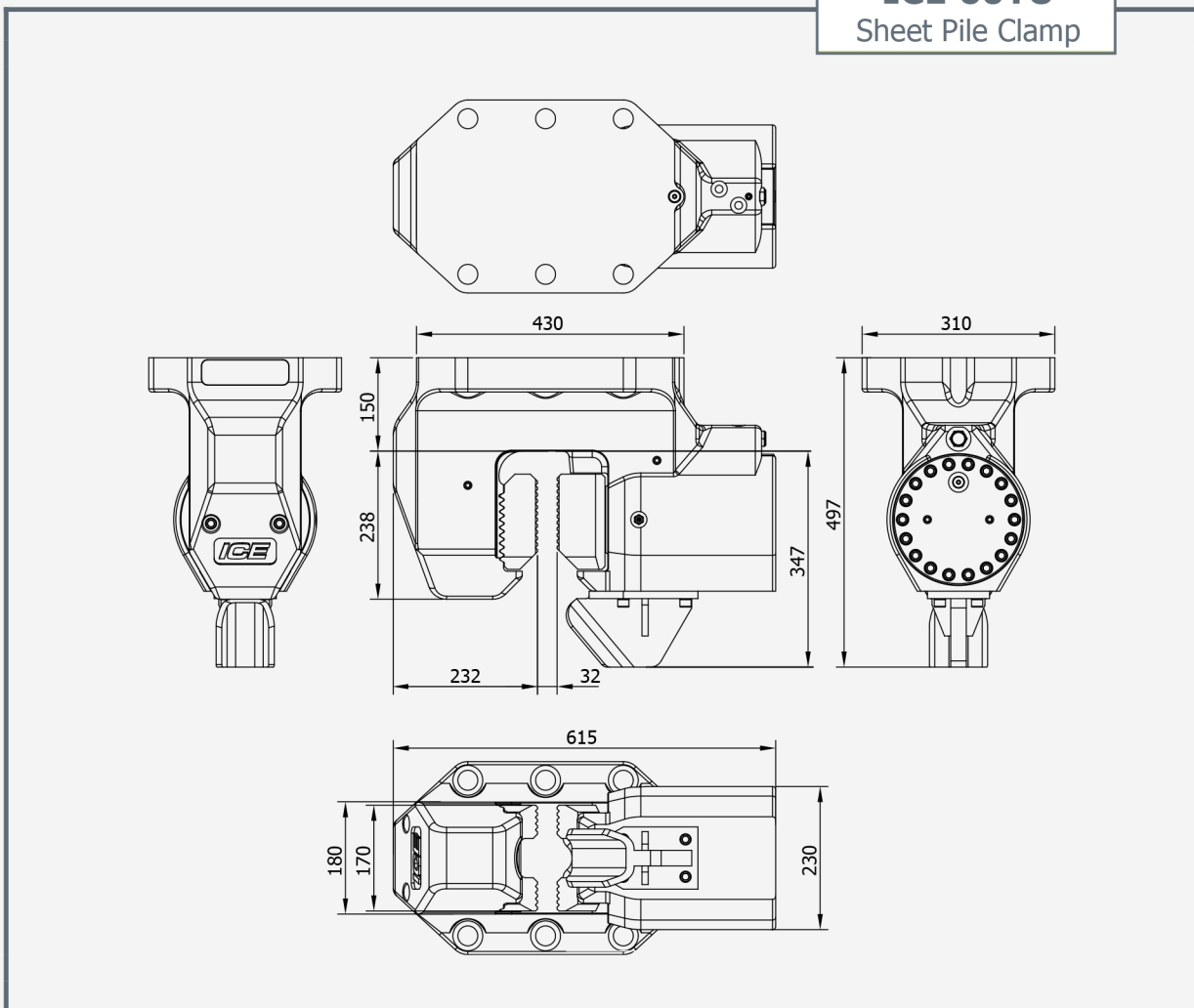
ICE 823 B

ICE 12 RF

SPECIFICATIONS:	200RF0005	200RF0006	
Diesel engine	Caterpillar C6.6 ATAAC	Caterpillar C6.6 ATAAC	
Max. theoretical power	168/225	168/228	kW/HP (DIN)
Max. Frequency	2100	2100	rpm
Max. Working pressure	350	350	bar
Hydraulic pump	Bosch-Rexroth A11VLO130	Parker PVplus140	
Max oil flow	275	295	l/min
Diesel oil	310	350	l
Hydraulic oil	550	550	l
Weight (±)	3750	3750	kg

ICE 60 TU Sheet Pile Clamp

ICE 60TU
Sheet Pile Clamp



Specifications		Technische Daten	Spécifications	Specificaties	Especificacions
Sheet pile clamp		Spundwandzange	Pince palplanches	Damwandklem	Hoja abrazadera pila
Clamping force	600 kN	Klemmkraft	Force de serrage	Klemkracht	Fuerza de sujeción
Max. operating press.	320 bar	Max. Betriebsdruck	Pression de travail max.	Max. werkdruk	Presión máx. de trabajo
Max. clamp open press.	180 bar	Max. Druck Zange Offen	Pression pince ouvert max.	Max. klem open druk	Presión abrazadera aperto máx.
Weight	250 kg	Gewicht	Poids	Gewicht	Peso