

Dynapac DFP9X

Plate compactors



Technical data



Masses

Basic mass	205 lbs
Operating mass	207 lbs



Propulsion

Max. working speed	82 fpm
--------------------	--------



Compaction

Frequency	5580 vpm
Centrifugal force	4,271 lb
Amplitude	0.04 in



Engine

Manufacturer/Model	Honda GX160
Emissions according to	Stage V & US EPA
Type	Air cooled, gasoline
Number of cylinders	1
Fuel consumption /h, avg.	0.30 gal
Fuel tank capacity	0.68 gal
Power	4.82 hp @ 3600 rpm



Drive system

Drive system	Mechanical
--------------	------------

Find us locally at www.dynapac.us

We reserve the right to change specifications without notice. Photos and illustrations do not always show standard versions of machines. The above information is a general description only, all informations are supplied without liability.

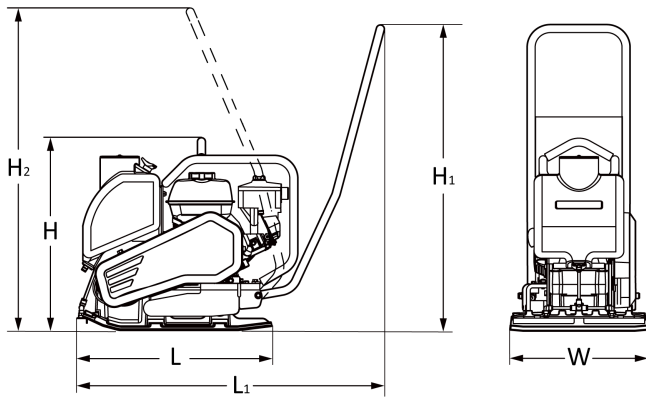
Dynapac DFP9X

Plate compactors

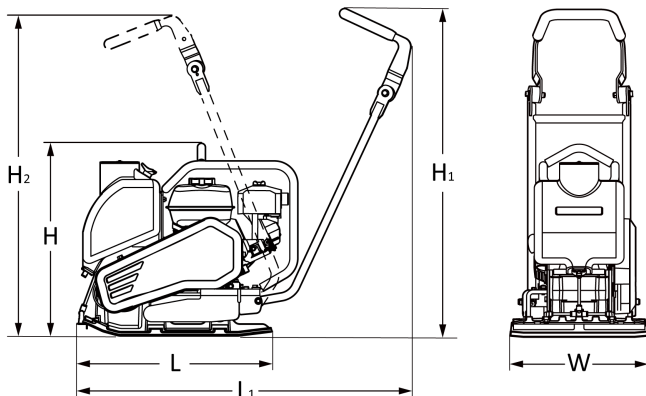


Technical data

STANDARD HANDLE



COMFORT HANDLE



Dimensions	
H. Height	24.8 in
H1. Height, standard handle	37.2 in
H2. Height, standard handle	38.5 in
L1. Length, standard handle	38.1 in
H1. Height, comfort handle	38.9 in
H2. Height, comfort handle	38.5 in
L1. Length, comfort handle	42.1 in
L. Length	24 in
W. Basic plate width	19.6 in



Standard equipment

- Foldable steering handle with vibration isolation
- Highly wear resistant base plate
- Automatic decompression
- All around protection for V-belt
- Protection frame for powerpack
- Recoil starter
- Carrying handles
- One point lift



Optional equipment

- Water sprinkler system 11l (+2.5kg)
- Comfort handle
- Puncture proof transport wheels (+2kg)
- Block paving mat
- Service Kit

Find us locally at www.dynapac.us

We reserve the right to change specifications without notice. Photos and illustrations do not always show standard versions of machines. The above information is a general description only, all informations are supplied without liability.